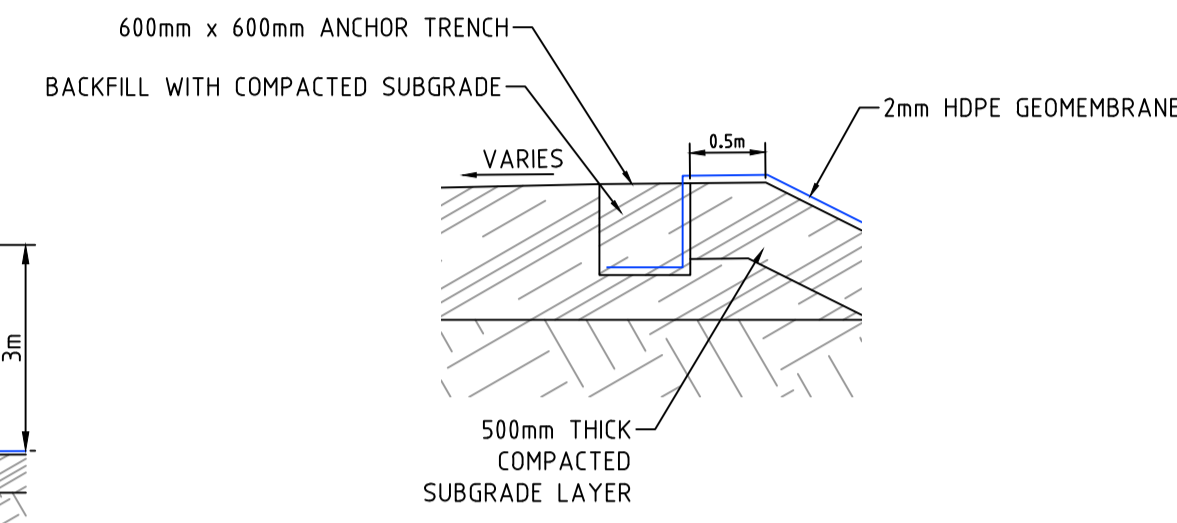
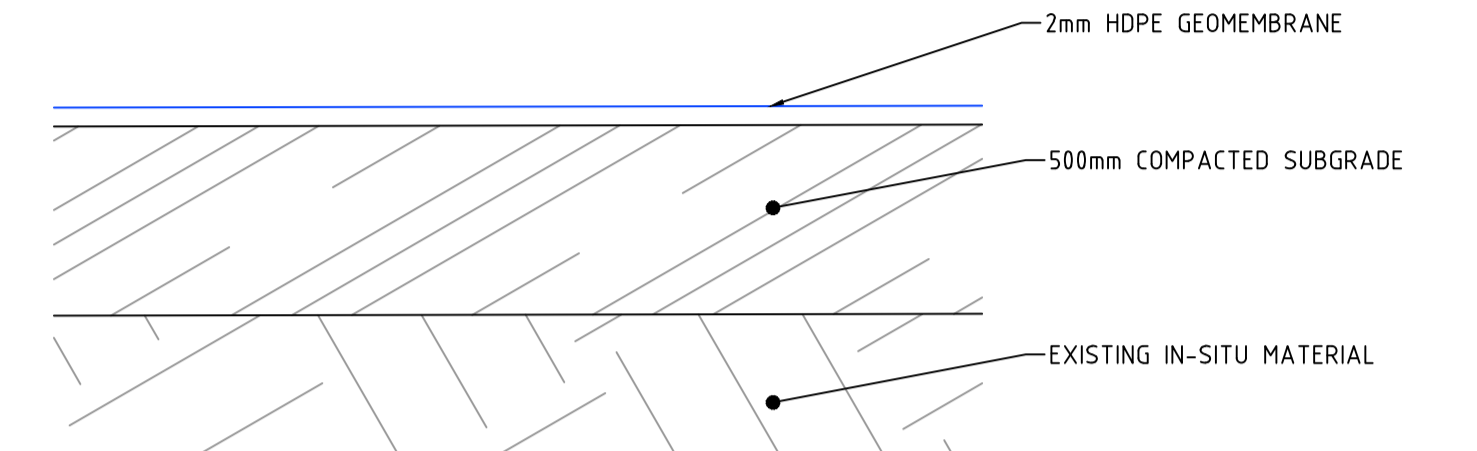


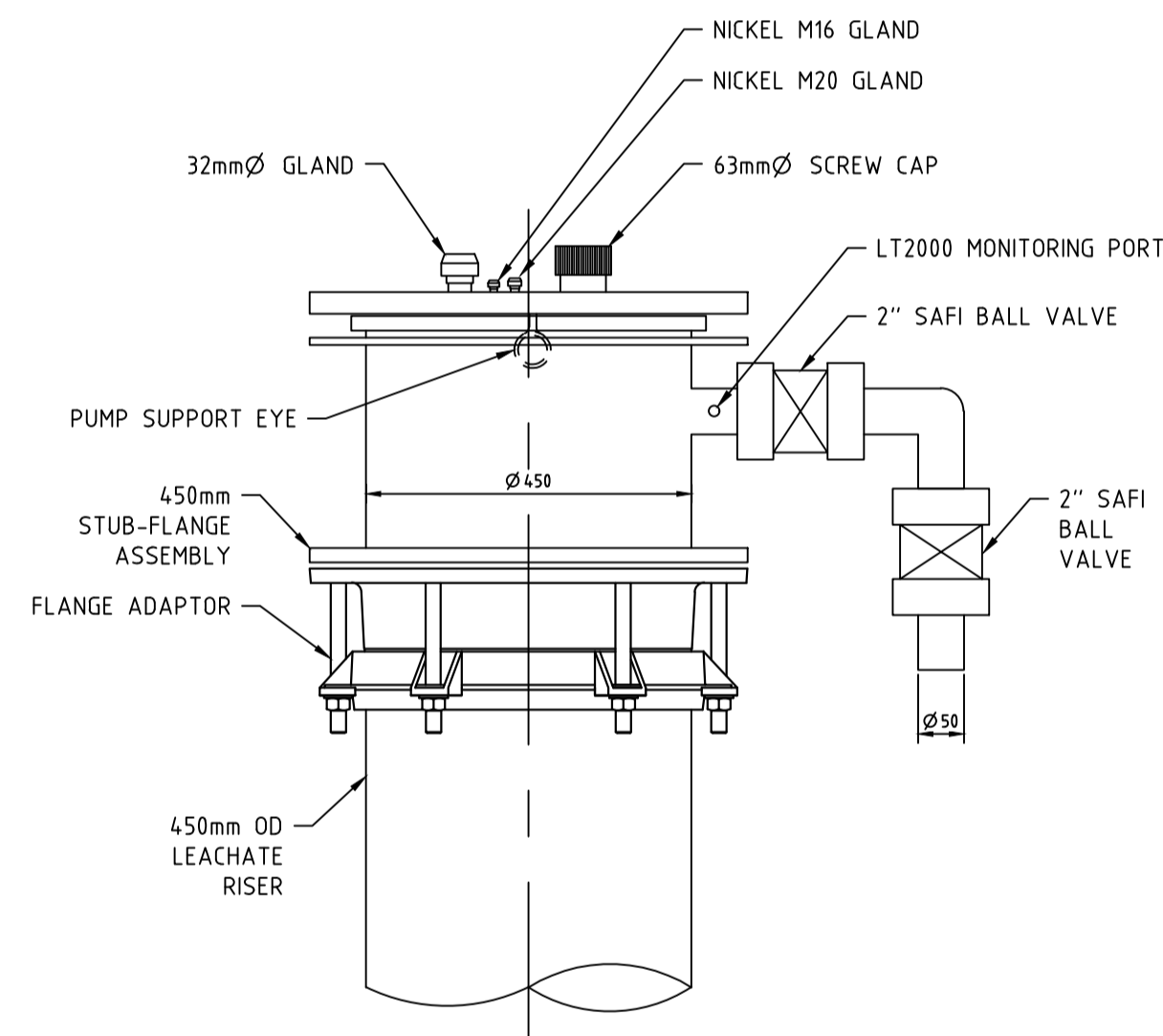
TYPICAL CROSS-SECTION LEACHATE POND  
SCALE: 1:100



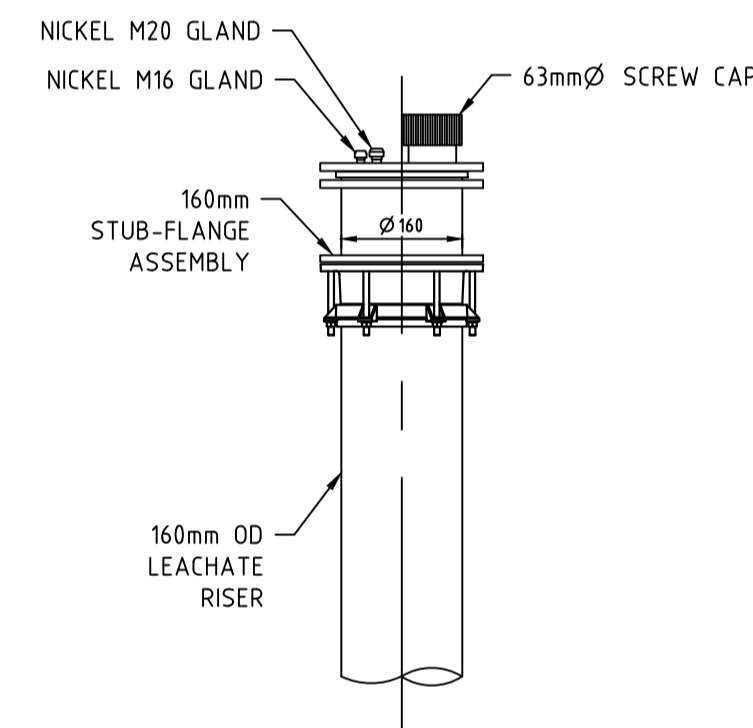
TRENCH AND LINING DETAIL  
SCALE: 1:50



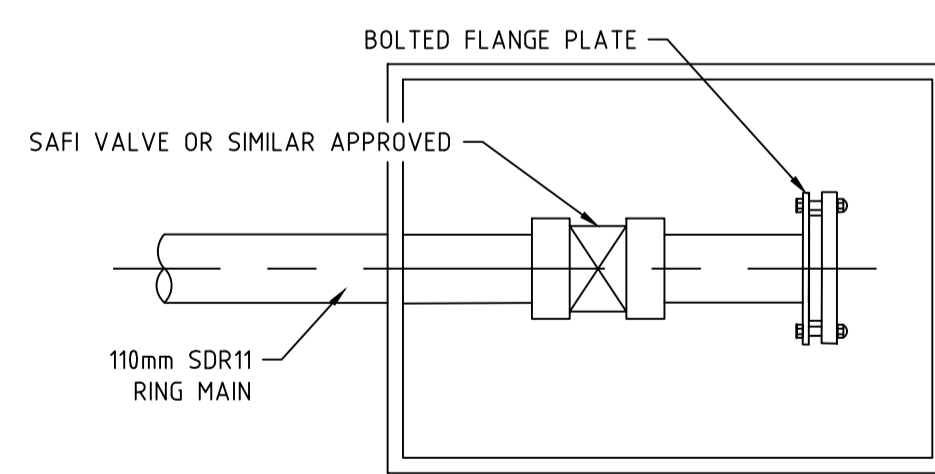
LEACHATE POND LINING SYSTEM  
SCALE: 1:20



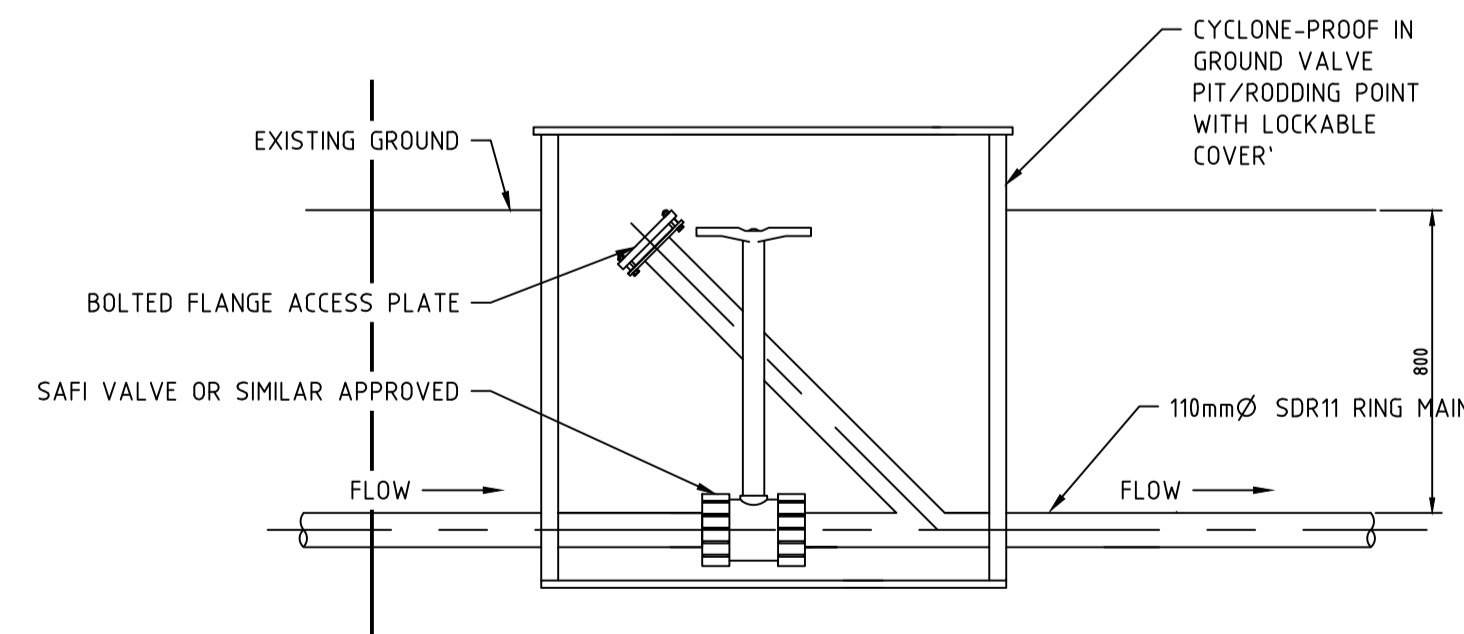
TYPICAL LEACHATE RISER HEADWORKS  
SCALE: 1:10



TYPICAL LEACHATE MONITORING SLEEVE HEADWORKS  
SCALE: 1:10



TYPICAL LEACHATE MAIN TERMINATION FOR FUTURE EXTENSION  
SCALE: 1:10



TYPICAL LEACHATE RODDING PIT SECTION  
SCALE: 1:20

PRELIMINARY ONLY  
NOT FOR CONSTRUCTION



VERTICAL DATUM: AUSTRALIAN HEIGHT DATUM  
HORIZONTAL DATUM: MGA 94 ZONE 51

**talis** consultants  
www.talisconsultants.com.au T: 1300 251 070

ASSET  
ENGINEERING  
ENVIRONMENT  
NOISE  
SPATIAL  
WASTE

PERTH  
604 Newcastle Street Leederville WA 6007  
PO Box 454 Leederville WA 6903

Client: **Shire of Broome**

NOTES

- This drawing is the property of Talis Consultants Pty Ltd. It is a confidential document and must not be copied, used, or its contents divulged without prior written consent.
- DO NOT SCALE, use figured dimensions only, if in doubt please contact Talis Consultants.
- Parts of this drawing is intended to be IN COLOUR. Black & White Printing may cause errors or omissions. If this text is not GREEN, please contact Talis Consultants

No.	Date	By	App.	Amendment / Issue
B	30.06.2023	AB	CP	100% DESIGN
A	25.05.2022	YJ	AB	CONCEPT DESIGN ISSUE

Project: **BROOME RRRP SITE CONSTRUCTION**

Title: **TYPICAL LEACHATE POND CONSTRUCTION & MANAGEMENT DETAILS**

Scale: 1:1500 @ A1	Date: 25.05.2022	
Drawn: YJ	Checked: AB	Approved:
Job No: TC21049	Org. No: C-314	Rev: B
Filename: TC21049 - LFLILL_SET.DWG		