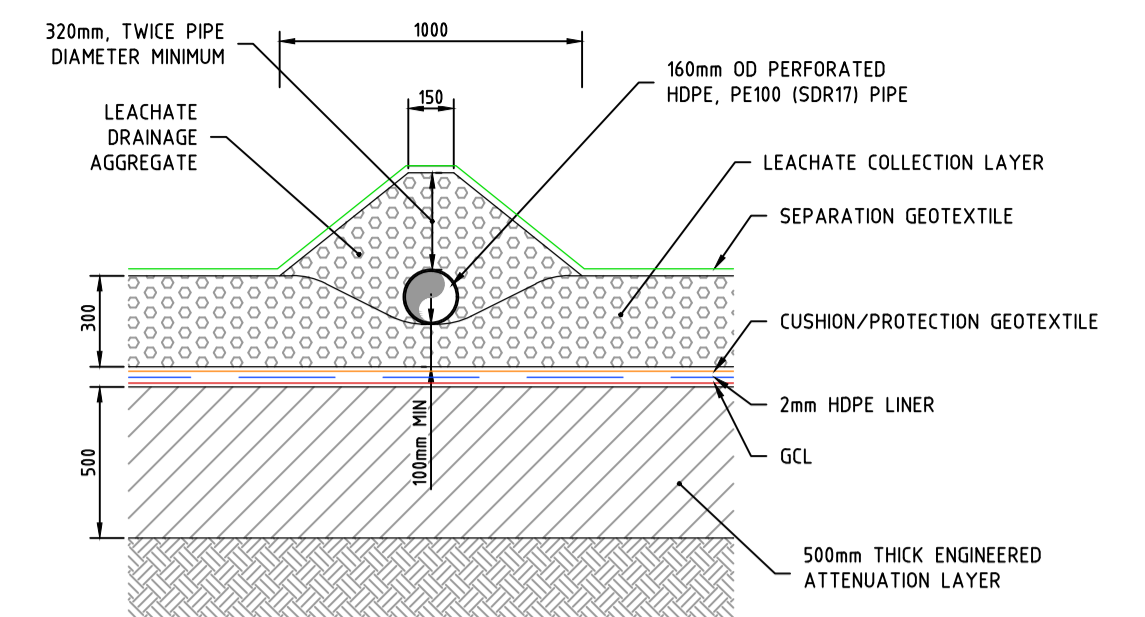
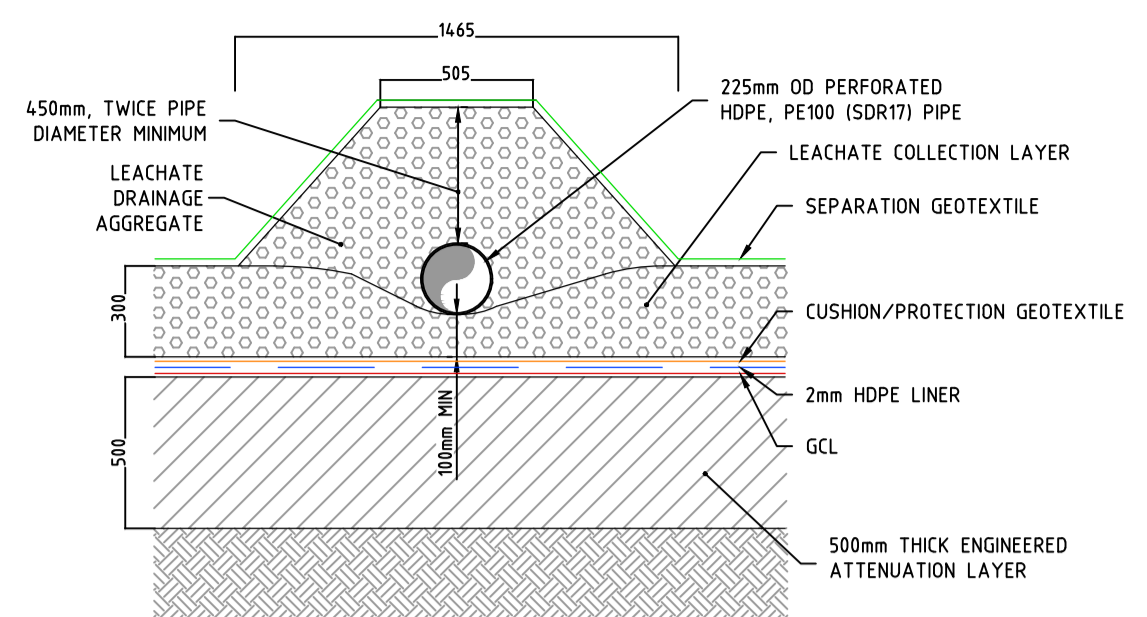


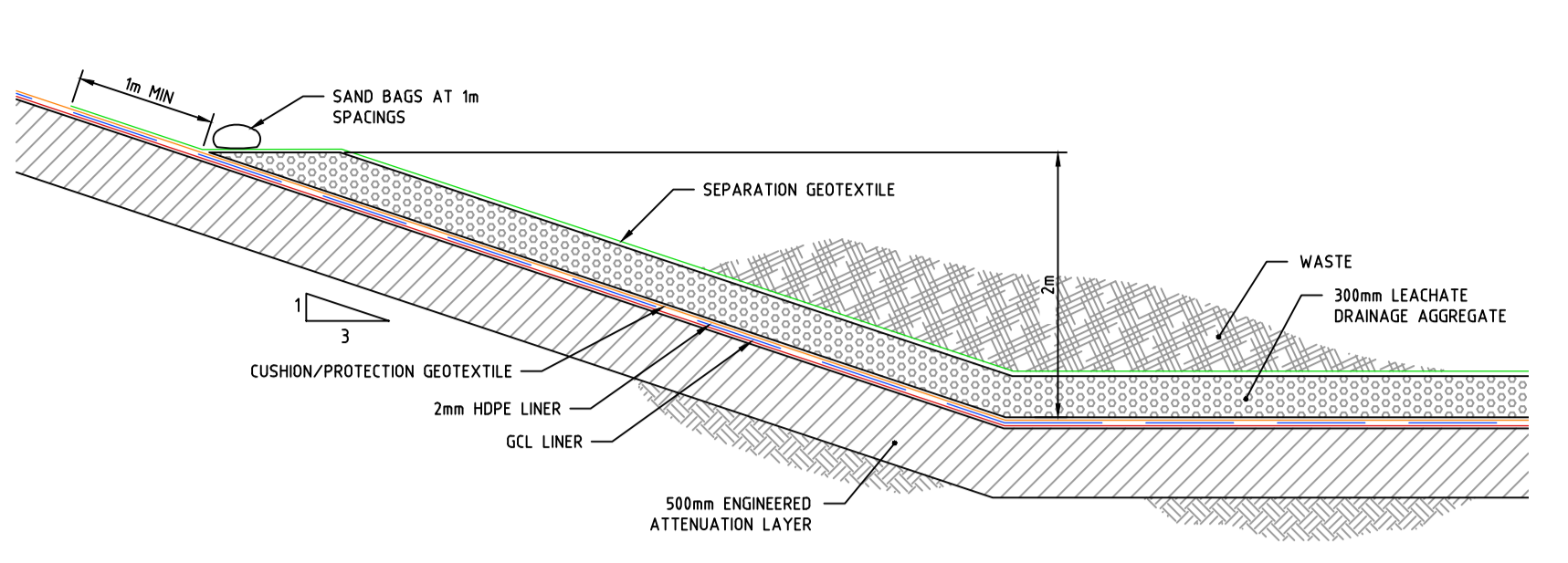
TYPICAL SECTION - LEACHATE EXTRACTION RISER
SCALE: 1:50



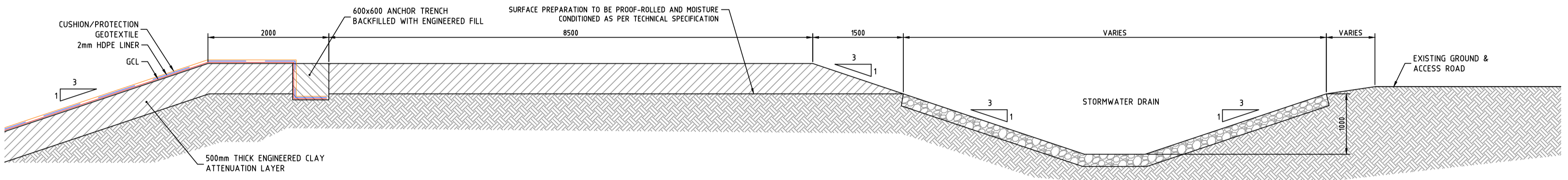
TYPICAL SECTION - LEACHATE COLLECTION SECONDARY PIPE BASE
SCALE: 1:25



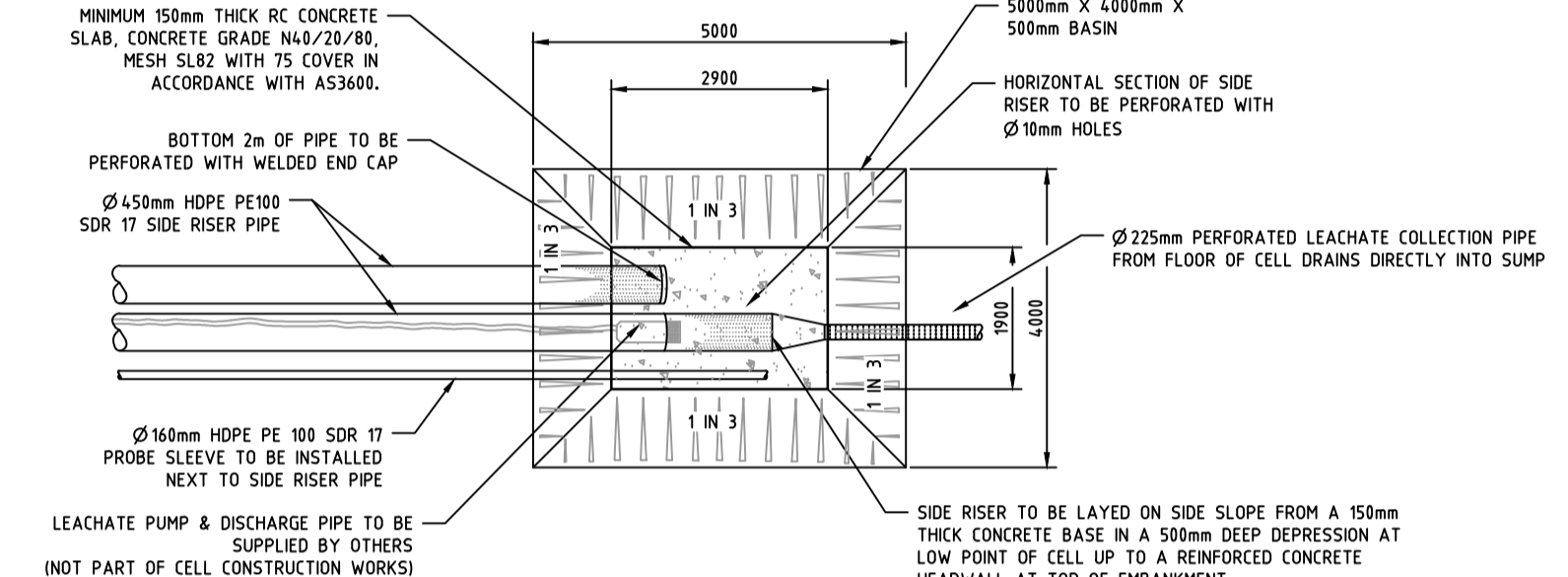
TYPICAL SECTION - LEACHATE COLLECTION PRIMARY PIPE BASE
SCALE: 1:25



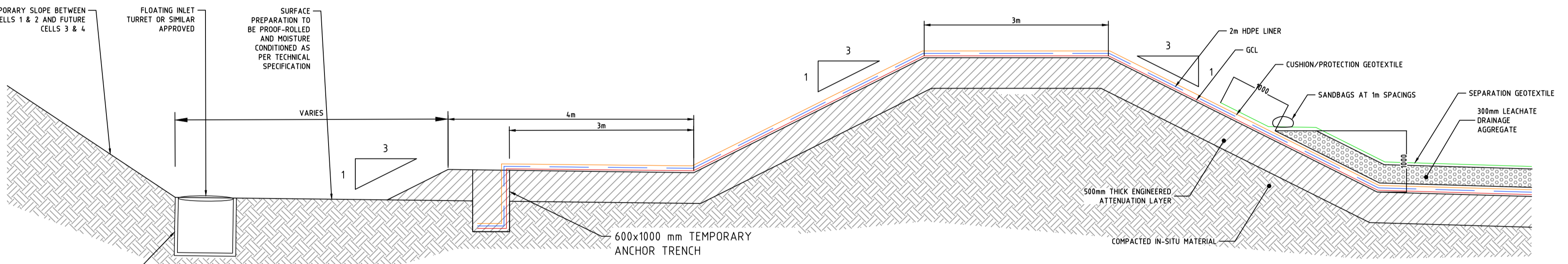
TYPICAL SECTION - BASAL LINING
SCALE: 1:50



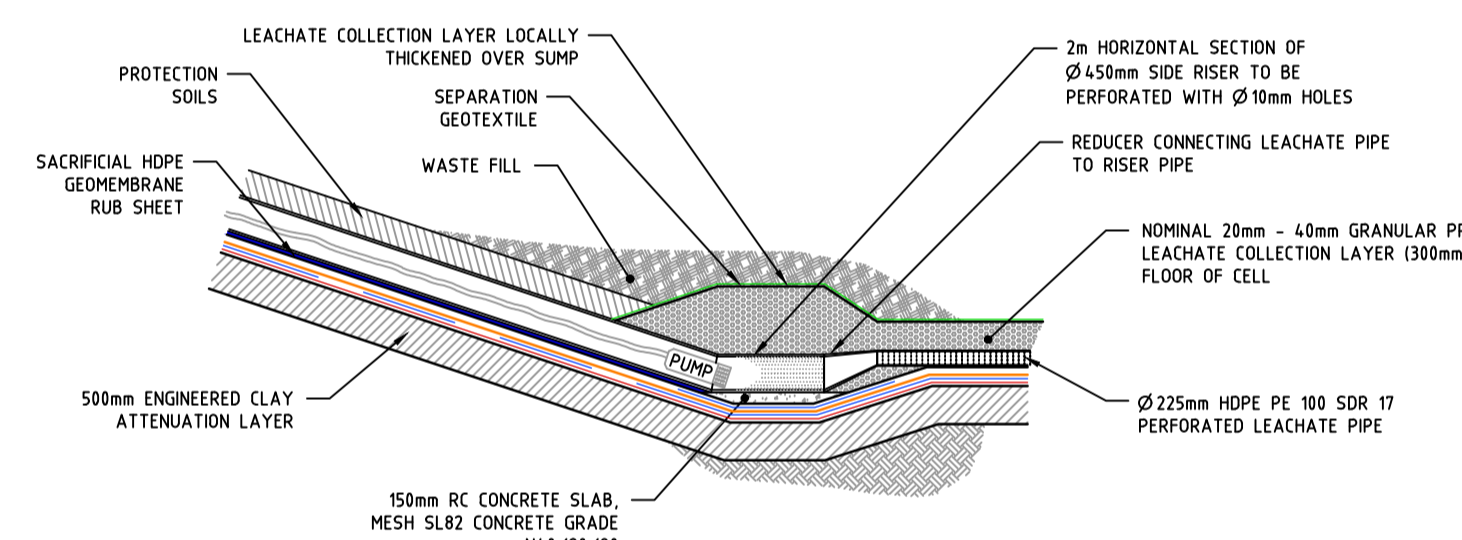
TYPICAL SECTION - BUND ADJACENT TO ACCESS ROAD
SCALE: 1:50



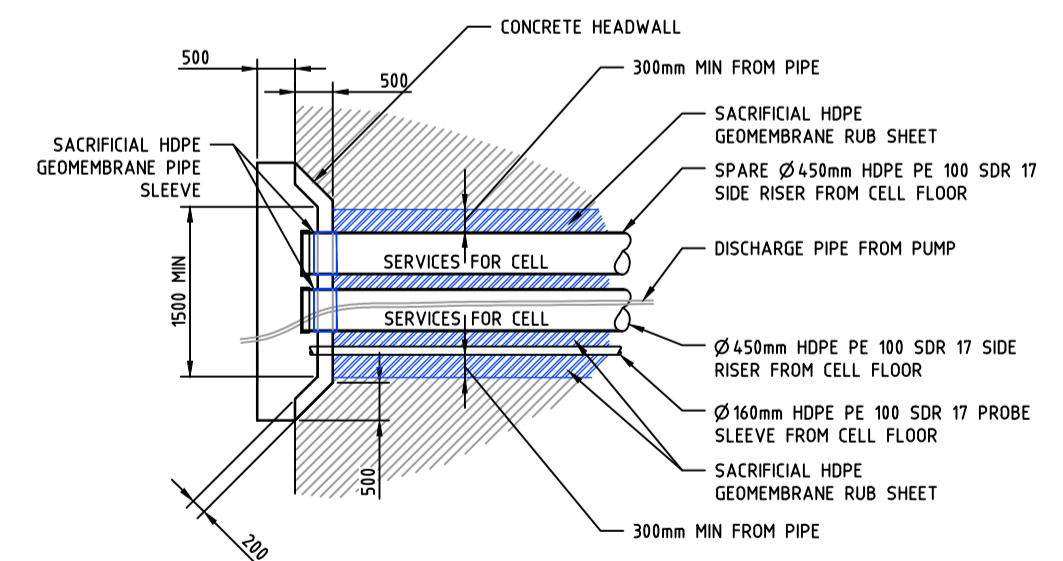
TYPICAL PLAN - LEACHATE COLLECTION SUMP
SCALE: NTS



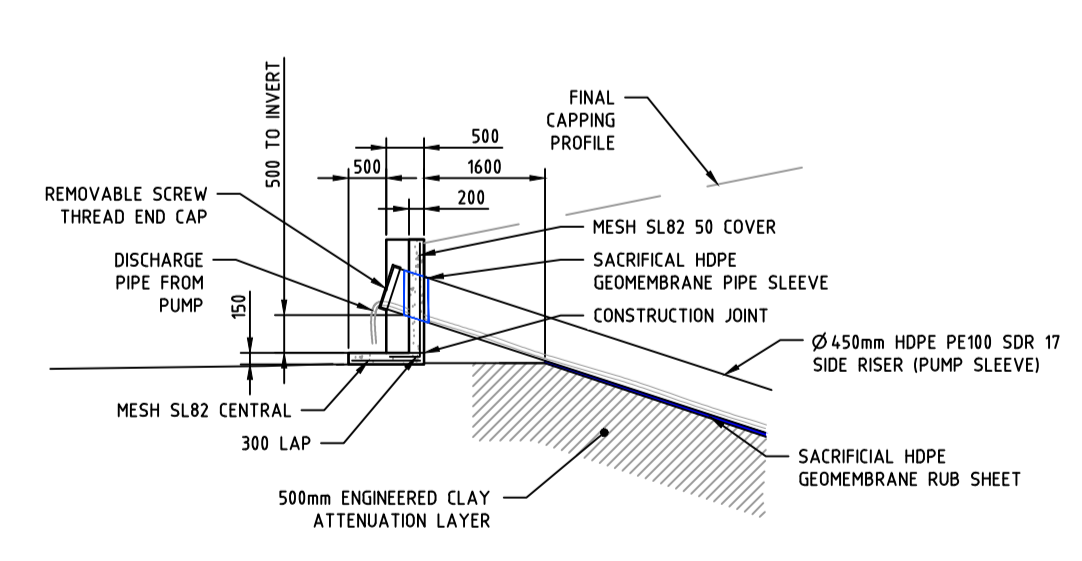
TYPICAL SECTION - CELLS 1 & 2 / CELLS 3 & 4
SCALE: 1:50



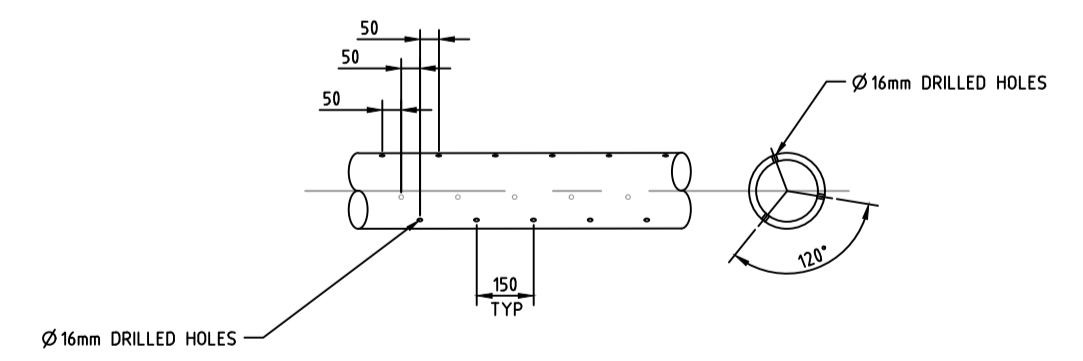
TYPICAL SECTION - LEACHATE COLLECTION SUMP
SCALE: NTS



TYPICAL DETAIL - SIDE RISER HEADWALL
SCALE: NTS



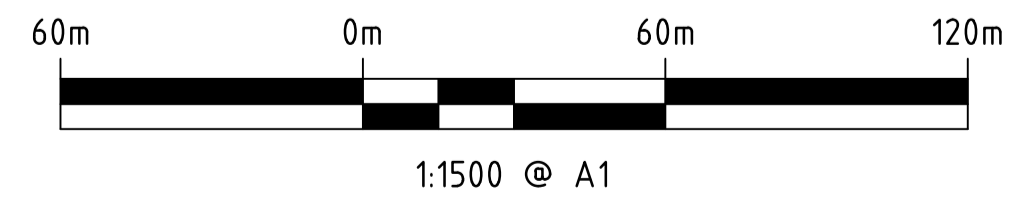
TYPICAL SECTION - SIDE RISER HEADWALL
SCALE: NTS



TYPICAL DETAIL - LEACHATE COLLECTION PIPE DRILL DETAIL
SCALE: 1:20

- LEGEND**
- GEOTEXTILE - SEPARATION LAYER
 - GEOTEXTILE - CUSHION/PROTECTION
 - HDPE LINER
 - GCL

PRELIMINARY ONLY
NOT FOR CONSTRUCTION



VERTICAL DATUM: AUSTRALIAN HEIGHT DATUM
HORIZONTAL DATUM: MGA 94 ZONE 51

ASSET
ENGINEERING
ENVIRONMENT
NOISE
SPATIAL
WASTE

PER TH
604 Newcastle Street Leederville WA6007
PO Box 454 Leederville WA 6903

T: 1300 251 070

Client:

- NOTES**
- This drawing is the property of Talis Consultants Pty Ltd. It is a confidential document and must not be copied, used, or its contents divulged without prior written consent.
 - DO NOT SCALE, use figured dimensions only, if in doubt please contact Talis Consultants.
 - Parts of this drawing is intended to be IN COLOUR. Black & White Printing may cause errors or omissions. If this text is not GREEN, please contact Talis Consultants

No.	Date	By	App.	Amendment / Issue
B	30.06.2023	AB	CP	100% DESIGN
A	25.05.2022	YJ	AB	CONCEPT DESIGN ISSUE

Project: BROOME RRRP SITE CONSTRUCTION

Title: RRRP LANDFILL CELL CONSTRUCTION DETAILS

Scale: 1:1500	@ A1	Date: 25.05.2022
Drawn: YJ	Checked: AB	Approved:
Job No: TC21049	Org. No: C-310	Rev: B
Filename: TC21049 - LFILL_SET.DWG		