

REV	DATE	DESCRIPTION	BY	CHK'D	APP'D

**GENERAL NOTES**

- THIS DRAWING ALWAYS REMAINS THE PROPERTY OF THE CITY OF GOSNELLS AND MUST NOT BE RETAINED OR REPRODUCED WITHOUT PERMISSION.
- IN THE ABSENCE OF THE APPROVED SIGNATURE (ie MANAGER TECHNICAL SERVICES) THIS DRAWING SHALL BE TREATED AS PRELIMINARY.
- ALL DIMENSIONS ARE IN METRES UNLESS NOTED OTHERWISE.
- ANNOTATED DIMENSIONS SHALL ALWAYS TAKE PRECEDENCE OVER SCALED DISTANCES.

**NOTE:**  
ALL WORKS SHALL BE IMPLEMENTED IN ACCORDANCE WITH THE CITY'S SPECIFICATIONS, CONTRACTUAL CONDITIONS AND INDUSTRY BEST PRACTICE. ANY CONFLICTS, OMISSIONS, ISSUES OR VARIATIONS ARE TO BE BROUGHT TO THE IMMEDIATE ATTENTION OF THE PROJECT DESIGNER.

**CITY OF GOSNELLS**

**ENGINEERING**

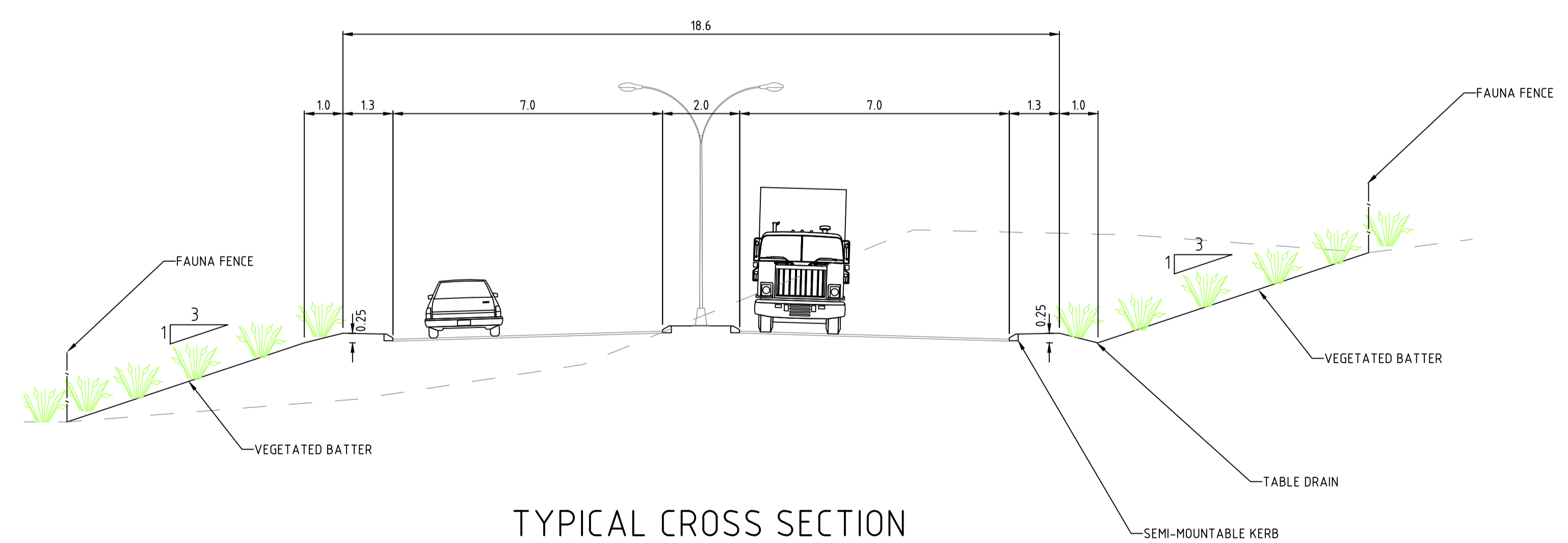
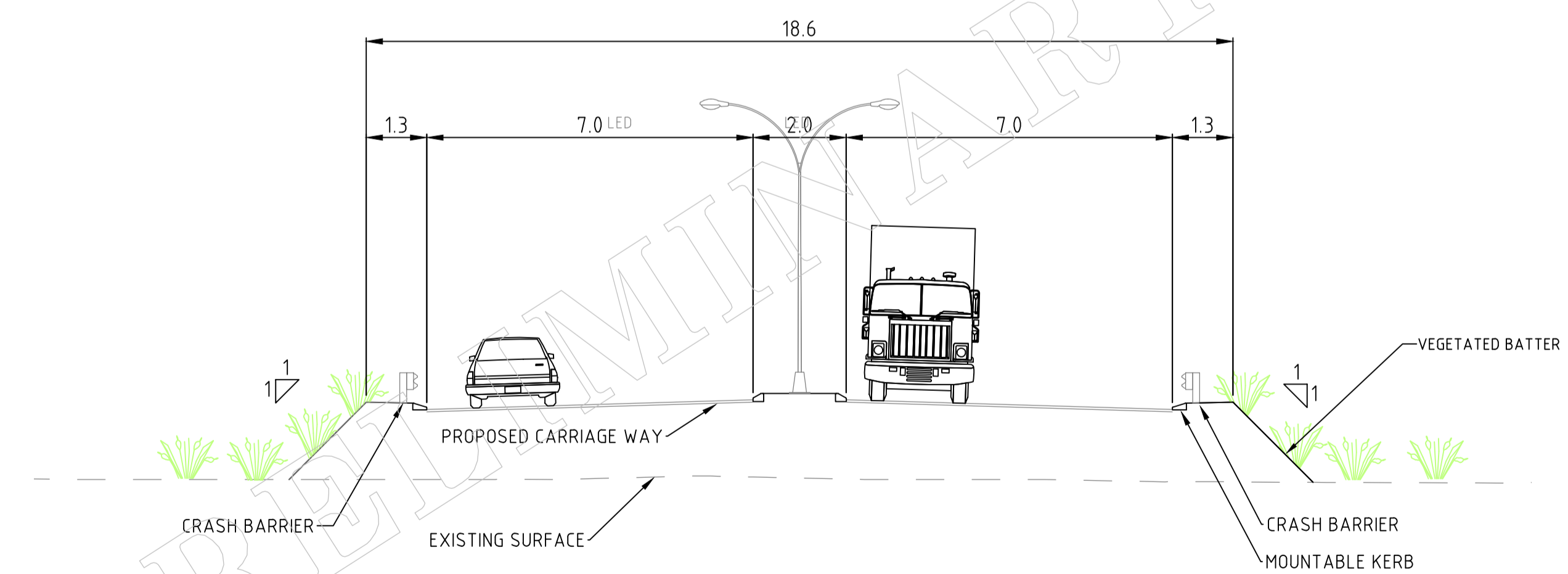
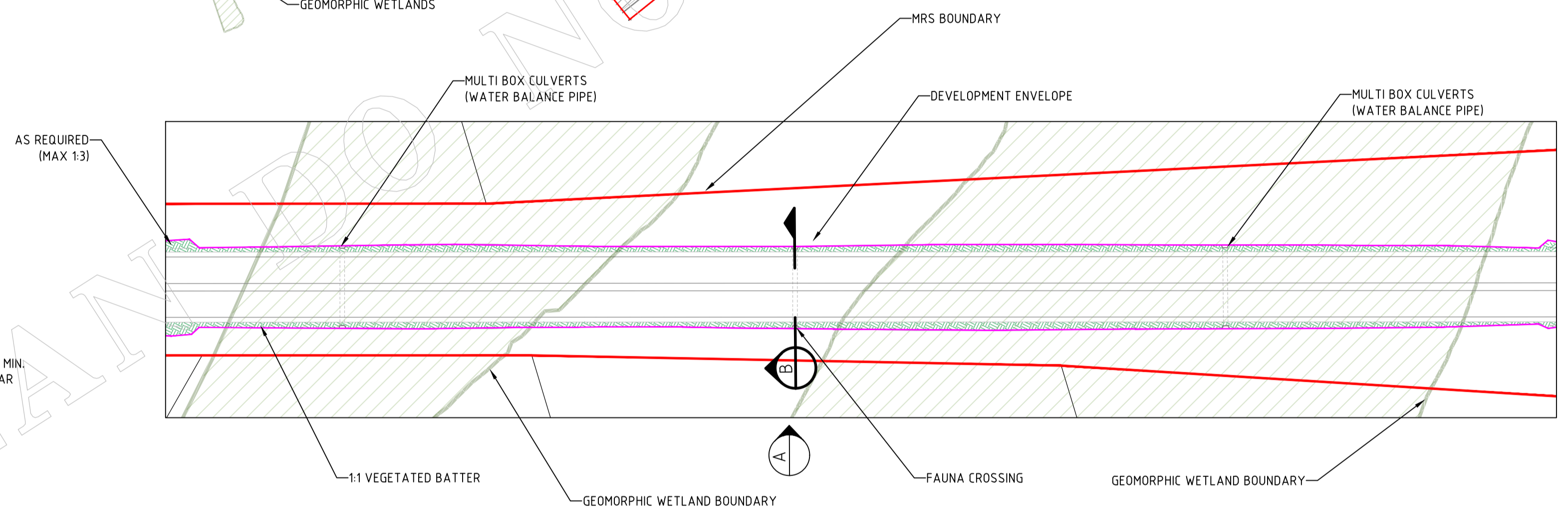
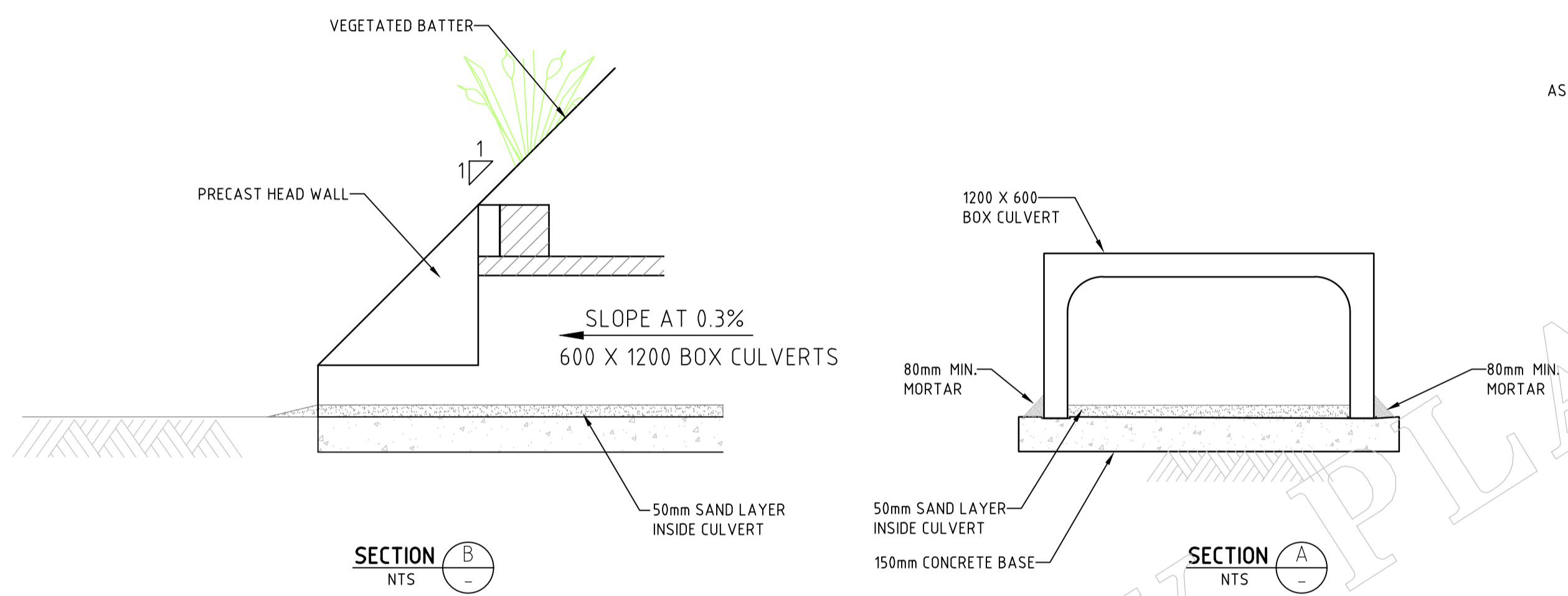
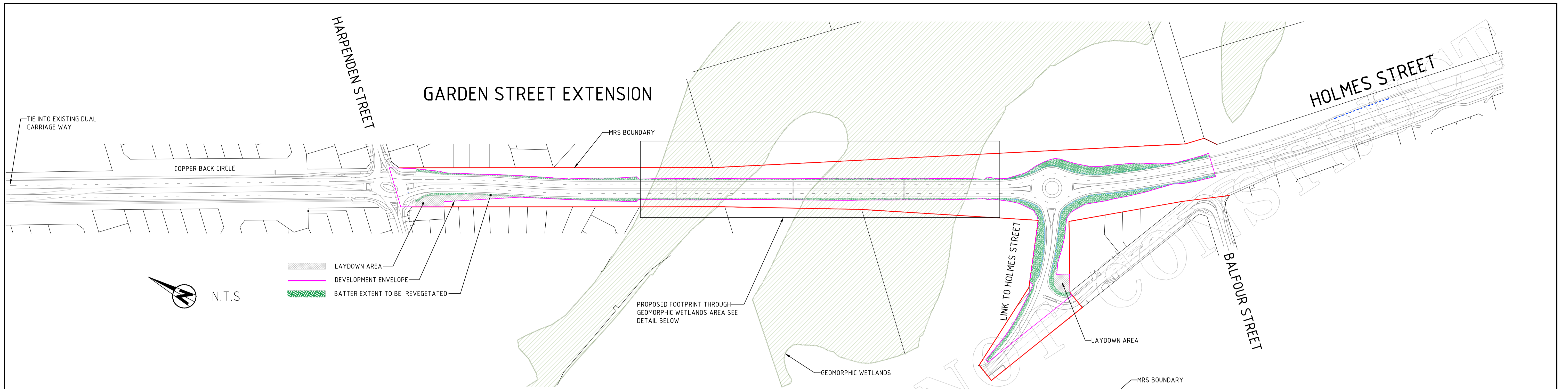
2120 Albany Highway Gosnells 6110  
PO Box 662 Gosnells 6990  
Western Australia

Telephone 08 9397 3000  
Facsimile 08 9397 3333  
Online www.gosnells.wa.gov.au

DESIGN GR	DATE MAY-21	SCALE HORIZ 1:750 VERT.
DRAWN RS	DATE FEB-22	DATUM
CHECKED		GRID SYSTEM
AUTHORISED		JOB NUMBER

PROJECT GREEN STREET	PLAN No
HARPENDEN STREET TO BALFOUR STREET	<b>E90-18-018</b>
DRAWING TITLE PROJECT ENVELOPE PLAN	REV A1
CHIEF ENGINEER S. ASMUS	DATE 09/03/22
S. ASMUS	DATE

I:\072022\1119-32-ART-5\CURRENT PROJECTS\GARDEN STREET HARPENDEN TO PASSMORE 2016 JOB 80310\DWG\E90-HINIPALDUAL-HARPENDEN ROUNDABOUT 24.DWG



REV	DATE	DESCRIPTION	BY	CHK'D	APP'D

**GENERAL NOTES**

- THIS DRAWING ALWAYS REMAINS THE PROPERTY OF THE CITY OF GOSNELLS AND MUST NOT BE RETAINED OR REPRODUCED WITHOUT PERMISSION.
- IN THE ABSENCE OF THE APPROVED SIGNATURE (ie MANAGER TECHNICAL SERVICES) THIS DRAWING SHALL BE TREATED AS PRELIMINARY.
- ALL DIMENSIONS ARE IN METRES UNLESS NOTED OTHERWISE.
- ANNOTATED DIMENSIONS SHALL ALWAYS TAKE PRECEDENCE OVER SCALED DISTANCES.

**NOTE:**  
ALL WORKS SHALL BE IMPLEMENTED IN ACCORDANCE WITH THE CITY'S SPECIFICATIONS, CONTRACTUAL CONDITIONS AND INDUSTRY BEST PRACTICE. ANY CONFLICTS, OMISSIONS, ISSUES OR VARIATIONS ARE TO BE BROUGHT TO THE IMMEDIATE ATTENTION OF THE PROJECT DESIGNER.

**CITY OF GOSNELLS**

**ENGINEERING**

2120 Albany Highway Gosnells 6110  
PO Box 662 Gosnells 6990  
Western Australia

Telephone 08 9397 3000  
Facsimile 08 9397 3333  
Online www.gosnells.wa.gov.au

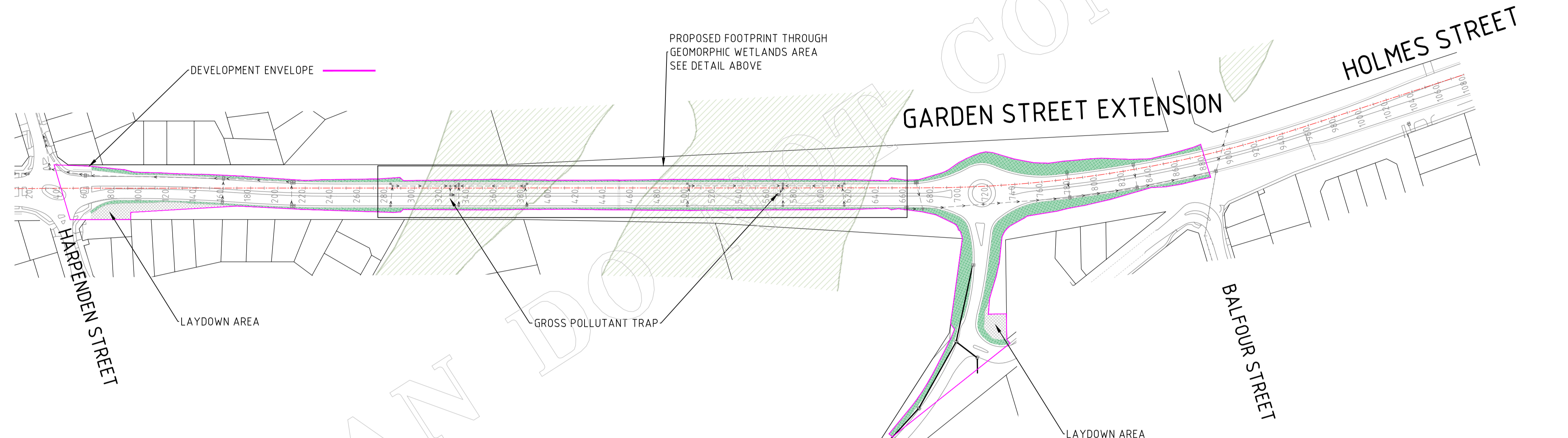
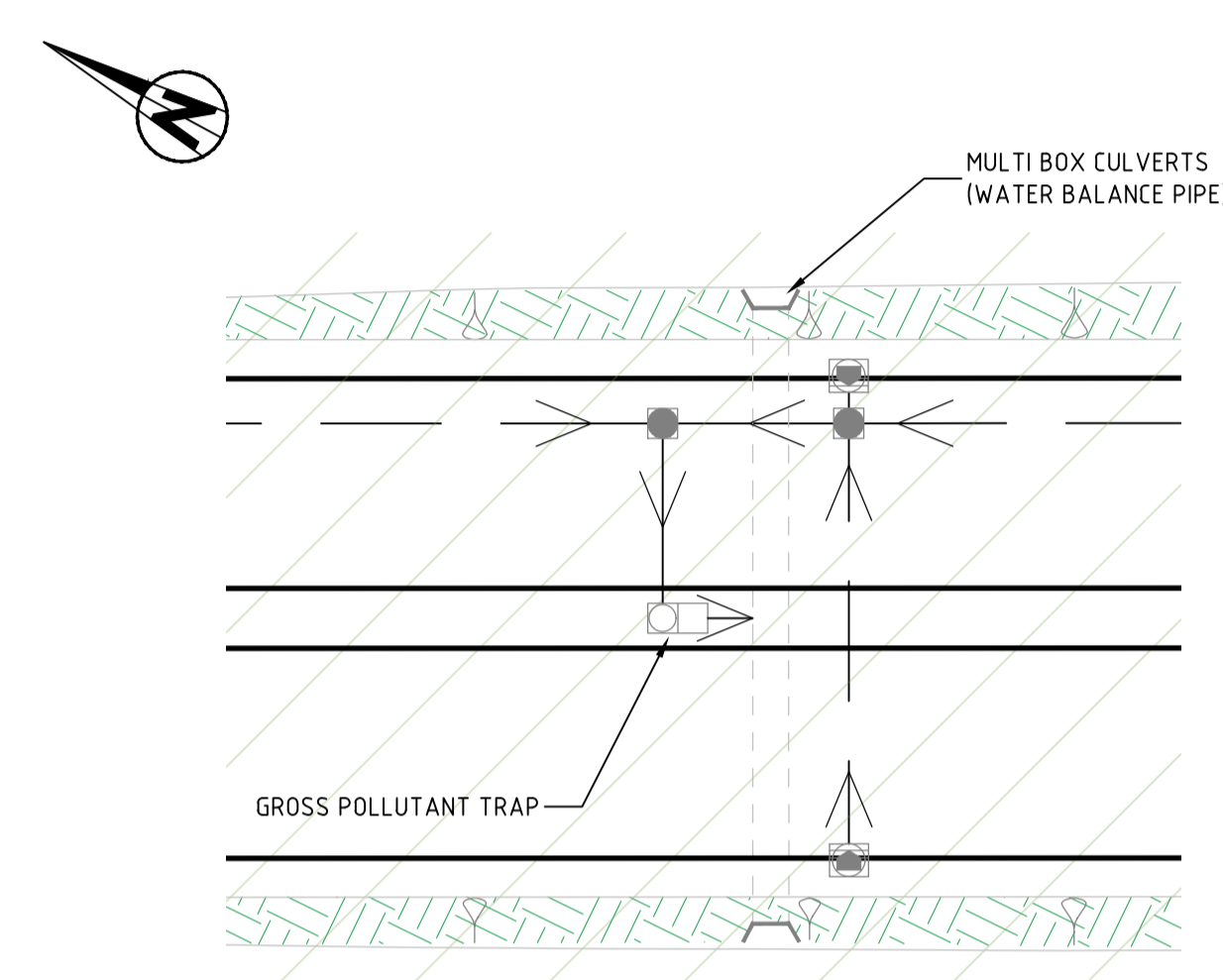
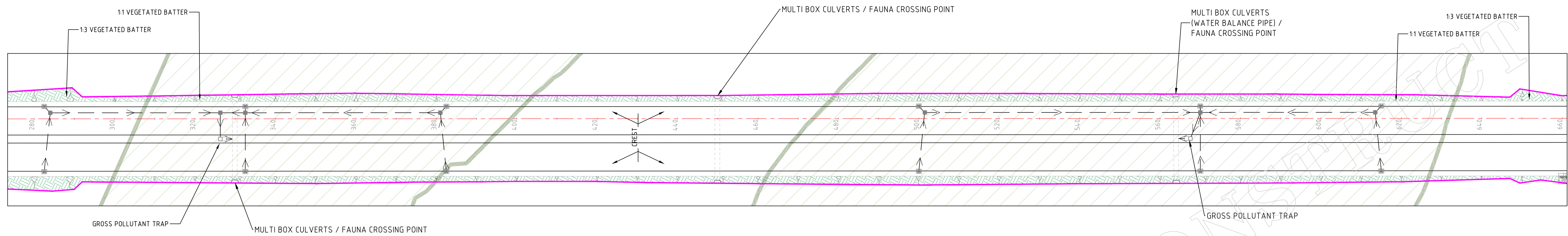
DESIGN GR	DATE MAY-21	SCALE HORIZ. 1:500 VERT. 1:100
DRAWN RS	DATE FEB-22	DATUM AHD
CHECKED		GRID SYSTEM PCG
AUTHORISED		JOB NUMBER

PROJECT  
**GARDEN STREET EXTENSION**  
HARPENDEN STREET TO BALFOUR STREET

DRAWING TITLE  
**DUAL CARRIAGEWAY DEVELOPMENT**  
FOOT PRINT AND TYPICAL CROSS SECTIONS

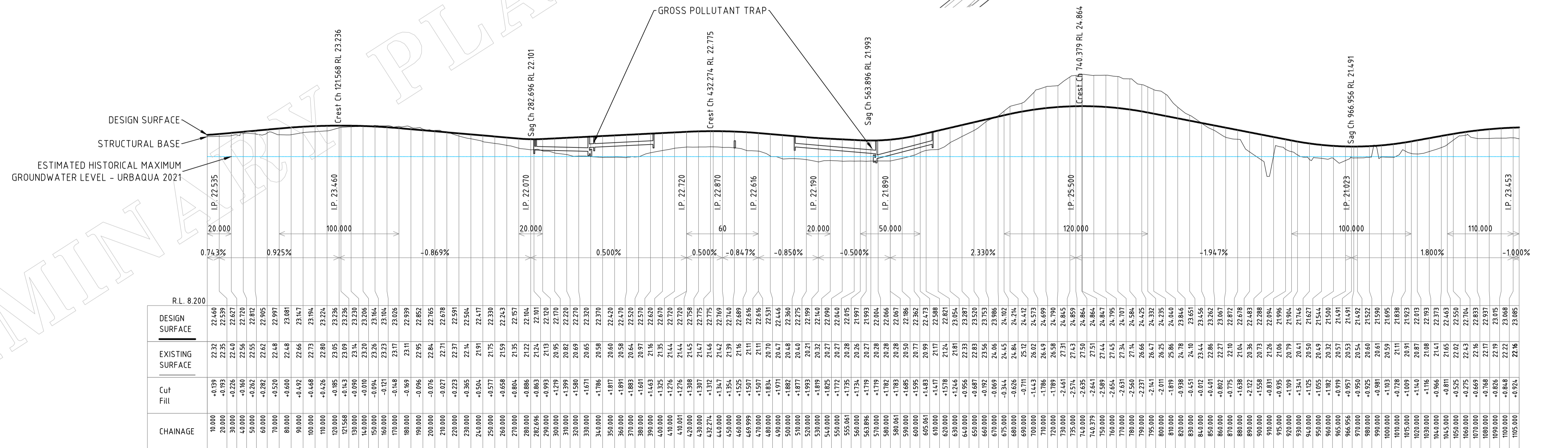
PLAN No	REV
<b>E90-18-016</b>	
CONCEPT	A1
CHIEF ENGINEER	
S. ASMUS	09/03/22
S. ASMUS	DATE

I:\07\2022\1106-31-ART-5\CURRENT PROJECTS\GARDEN STREET HARPENDEN TO PASSMORE 2016 JOB 80310\DWG\E90-HINIKALDUAL-HARPENDEN ROUNDABOUT 24.DWG



**LEGEND**

- TRAFFICABLE MANHOLE
- SIDE ENTRY GULLY
- GROSS POLLUTANT TRAP
- CULVERT HEADWALL



CHAINAGE	DESIGN SURFACE	EXISTING SURFACE	Cut	Fill
18.000	21.640	21.640	0.000	0.000
20.000	22.535	22.535	0.000	0.000
30.000	22.627	22.627	0.000	0.000
40.000	22.556	22.556	0.000	0.000
50.000	22.812	22.812	0.000	0.000
60.000	22.995	22.995	0.000	0.000
70.000	22.648	22.648	0.000	0.000
80.000	23.081	23.081	0.000	0.000
90.000	22.666	22.666	0.000	0.000
100.000	22.773	22.773	0.000	0.000
110.000	22.880	22.880	0.000	0.000
120.000	22.926	22.926	0.000	0.000
130.000	22.936	22.936	0.000	0.000
140.000	22.936	22.936	0.000	0.000
150.000	22.936	22.936	0.000	0.000
160.000	22.936	22.936	0.000	0.000
170.000	22.936	22.936	0.000	0.000
180.000	22.936	22.936	0.000	0.000
190.000	22.936	22.936	0.000	0.000
200.000	22.936	22.936	0.000	0.000
210.000	22.936	22.936	0.000	0.000
220.000	22.936	22.936	0.000	0.000
230.000	22.936	22.936	0.000	0.000
240.000	22.936	22.936	0.000	0.000
250.000	22.936	22.936	0.000	0.000
260.000	22.936	22.936	0.000	0.000
270.000	22.936	22.936	0.000	0.000
280.000	22.936	22.936	0.000	0.000
290.000	22.936	22.936	0.000	0.000
300.000	22.936	22.936	0.000	0.000
310.000	22.936	22.936	0.000	0.000
320.000	22.936	22.936	0.000	0.000
330.000	22.936	22.936	0.000	0.000
340.000	22.936	22.936	0.000	0.000
350.000	22.936	22.936	0.000	0.000
360.000	22.936	22.936	0.000	0.000
370.000	22.936	22.936	0.000	0.000
380.000	22.936	22.936	0.000	0.000
390.000	22.936	22.936	0.000	0.000
400.000	22.936	22.936	0.000	0.000
410.000	22.936	22.936	0.000	0.000
420.000	22.936	22.936	0.000	0.000
430.000	22.936	22.936	0.000	0.000
440.000	22.936	22.936	0.000	0.000
450.000	22.936	22.936	0.000	0.000
460.000	22.936	22.936	0.000	0.000
470.000	22.936	22.936	0.000	0.000
480.000	22.936	22.936	0.000	0.000
490.000	22.936	22.936	0.000	0.000
500.000	22.936	22.936	0.000	0.000
510.000	22.936	22.936	0.000	0.000
520.000	22.936	22.936	0.000	0.000
530.000	22.936	22.936	0.000	0.000
540.000	22.936	22.936	0.000	0.000
550.000	22.936	22.936	0.000	0.000
560.000	22.936	22.936	0.000	0.000
570.000	22.936	22.936	0.000	0.000
580.000	22.936	22.936	0.000	0.000
590.000	22.936	22.936	0.000	0.000
600.000	22.936	22.936	0.000	0.000
610.000	22.936	22.936	0.000	0.000
620.000	22.936	22.936	0.000	0.000
630.000	22.936	22.936	0.000	0.000
640.000	22.936	22.936	0.000	0.000
650.000	22.936	22.936	0.000	0.000
660.000	22.936	22.936	0.000	0.000
670.000	22.936	22.936	0.000	0.000
680.000	22.936	22.936	0.000	0.000
690.000	22.936	22.936	0.000	0.000
700.000	22.936	22.936	0.000	0.000
710.000	22.936	22.936	0.000	0.000
720.000	22.936	22.936	0.000	0.000
730.000	22.936	22.936	0.000	0.000
740.000	22.936	22.936	0.000	0.000
750.000	22.936	22.936	0.000	0.000
760.000	22.936	22.936	0.000	0.000
770.000	22.936	22.936	0.000	0.000
780.000	22.936	22.936	0.000	0.000
790.000	22.936	22.936	0.000	0.000
800.000	22.936	22.936	0.000	0.000
810.000	22.936	22.936	0.000	0.000
820.000	22.936	22.936	0.000	0.000
830.000	22.936	22.936	0.000	0.000
840.000	22.936	22.936	0.000	0.000
850.000	22.936	22.936	0.000	0.000
860.000	22.936	22.936	0.000	0.000
870.000	22.936	22.936	0.000	0.000
880.000	22.936	22.936	0.000	0.000
890.000	22.936	22.936	0.000	0.000
900.000	22.936	22.936	0.000	0.000
910.000	22.936	22.936	0.000	0.000
920.000	22.936	22.936	0.000	0.000
930.000	22.936	22.936	0.000	0.000
940.000	22.936	22.936	0.000	0.000
950.000	22.936	22.936	0.000	0.000
960.000	22.936	22.936	0.000	0.000
970.000	22.936	22.936	0.000	0.000
980.000	22.936	22.936	0.000	0.000
990.000	22.936	22.936	0.000	0.000
1000.000	22.936	22.936	0.000	0.000
1010.000	22.936	22.936	0.000	0.000
1020.000	22.936	22.936	0.000	0.000
1030.000	22.936	22.936	0.000	0.000
1040.000	22.936	22.936	0.000	0.000
1050.000	22.936	22.936	0.000	0.000

LONGITUDINAL SECTION  
Dual With Roundabout Ch 10.000 to Ch 1105.000  
SCALES: HORIZONTAL 1:2000 VERTICAL 1:200

REV	DATE	DESCRIPTION	BY	CHK'D	APP'D

**GENERAL NOTES**

- THIS DRAWING ALWAYS REMAINS THE PROPERTY OF THE CITY OF GOSNELLS AND MUST NOT BE RETAINED OR REPRODUCED WITHOUT PERMISSION.
- IN THE ABSENCE OF THE APPROVED SIGNATURE (ie MANAGER TECHNICAL SERVICES) THIS DRAWING SHALL BE TREATED AS PRELIMINARY.
- ALL DIMENSIONS ARE IN METRES UNLESS NOTED OTHERWISE.
- ANNOTATED DIMENSIONS SHALL ALWAYS TAKE PRECEDENCE OVER SCALED DISTANCES.

**NOTE:**  
ALL WORKS SHALL BE IMPLEMENTED IN ACCORDANCE WITH THE CITY'S SPECIFICATIONS, CONTRACTUAL CONDITIONS AND INDUSTRY BEST PRACTICE. ANY CONFLICTS, OMISSIONS, ISSUES OR VARIATIONS ARE TO BE BROUGHT TO THE IMMEDIATE ATTENTION OF THE PROJECT DESIGNER.

**CITY OF GOSNELLS**

**ENGINEERING**

2120 Albany Highway Gosnells 6110  
PO Box 662 Gosnells 6990  
Western Australia

Telephone 08 9397 3000  
Facsimile 08 9397 3333  
Online www.gosnells.wa.gov.au

DESIGN GR	DATE MAY-21	SCALE HORIZ 1:500 VERT 1:200
DRAWN RS	DATUM AHD	PROJECT GARDEN STREET EXTENSION
CHECKED	GRID SYSTEM PCG	HARPENDEN STREET TO BALFOUR STREET
AUTHORISED	JOB NUMBER	DRAWING TITLE DUAL CARRIAGEWAY MINIMAL FOOTPRINT DRAINAGE

PLAN No	REV
E90-18-017	A1
CONCEPT	CHIEF ENGINEER
S. ASMUS	09/03/22
S. ASMUS	DATE